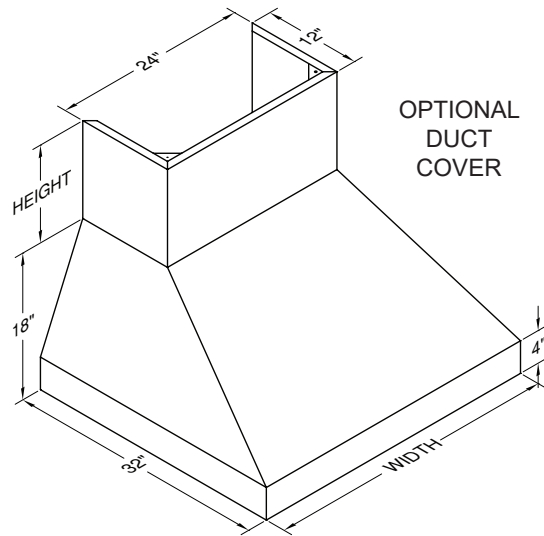


Vent-A-Hood® EUROSTYLE WALL MOUNT RANGE HOOD SPECIFICATIONS

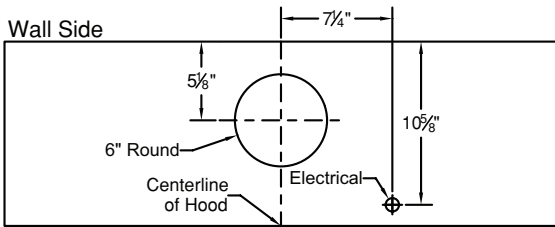
EPH18-M-X32 Equipped with LED GU10 lighting. M600 and M1200 blowers are sold separately. Features stainless steel baffle filters. Shown with optional duct cover (sold separately).

Available Widths

36", 42", 48"

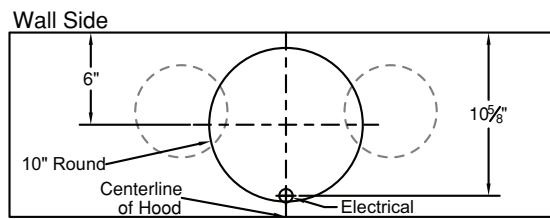


M600 Connection Diagram



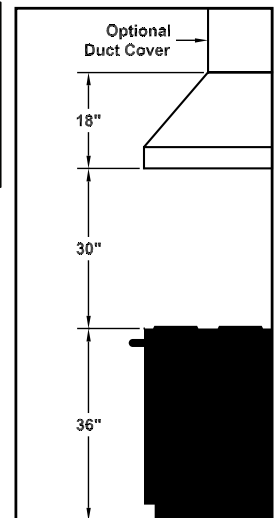
**Single Blower
(Top View)**

M1200 Connection Diagram



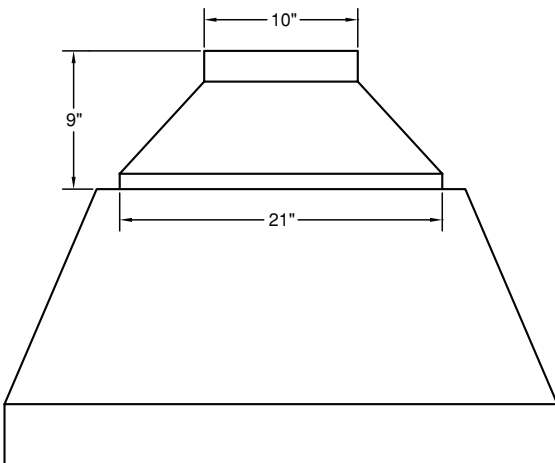
**Dual Blower with VP566 Transition
(Top View, see below for others)**

Recommended Mounting Height*

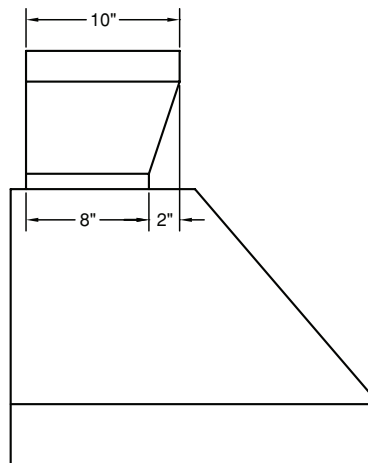


*Recommended mounting height is for optimum performance.

VP566 Transition Details (Included with M1200)



**VP566 Transition
(Front View)**



**VP566 Transition
(Side View)**

SPEED	CFM @ 0.1" S.P.	
	M600	M1200
1	240	420
2	300	645
3	500	865
4	625	1015

300 CFM limiting harness (WHM300) and 400 CFM limiting harness (WHM400) available (sold separately)

Electrical/Mechanical Specifications For Blower Units

Model	Volts	Amps*	Hz	CFM SP@0.0"	CFM SP@0.1"	CFM SP@0.25"	CFM SP@0.5"	CFM SP@0.75"	Minimum Round Duct Size
M600 Single	115	5.0	60	630	625	615	600	580	6" (28 in. ²)
M1200 Dual	115	10.0	60	1035	1015	1000	955	915	10" (79 in. ²)

* Hoods are available with LED GU10 lights (2 lights: 36", 3 lights: 42" & 48").

SPECIFICATIONS SUBJECT TO CHANGE WITHOUT NOTICE Rev. 0820B

